

# Constant Voltage LED Power Supply

SLT15-12VF-2S

SLT15-24VF-2S



## Product description:

This series was designed for compromise between an attractive price and high performance, which meets SELV standard of preventing electric shock. Protection of open circuit, short circuit, over load and over temperature increased safety in processing. Low standby power consumption complies with ERP directives. Optimized electric circuit design brings cost-effectiveness.



## Standards:

EN61347-1  
 EN61347-2-13  
 EN61547  
 EN55015  
 EN61000-3-2  
 EN61000-3-3  
 EN62384  
 EN62493

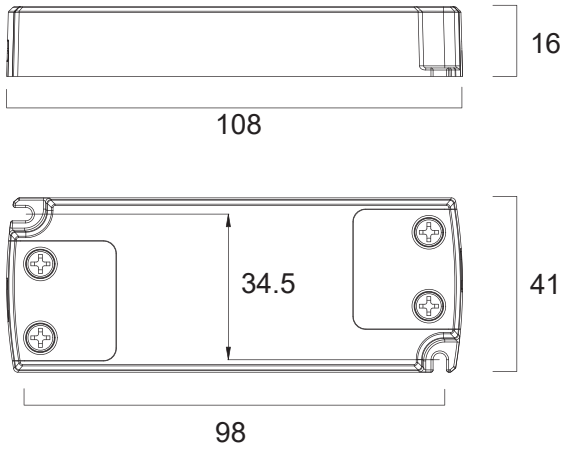
## Characteristics:

- Independent power supply for constant voltage LED lamp
- Terminal block for quick connection
- Class II protection against electric shock from direct and indirect contact
- SELV output (<60V)
- Fast start-up time  $\leq 0.5s$
- No load power consumption  $\leq 0.5W$
- Open circuit, short circuit, over load and over temperature protection
- Auto restart after fault conditions removal
- The height is 16mm
- Efficiency  $\geq 83\%$  (AC230V, full load)
- ECO design, comply with ERP directives

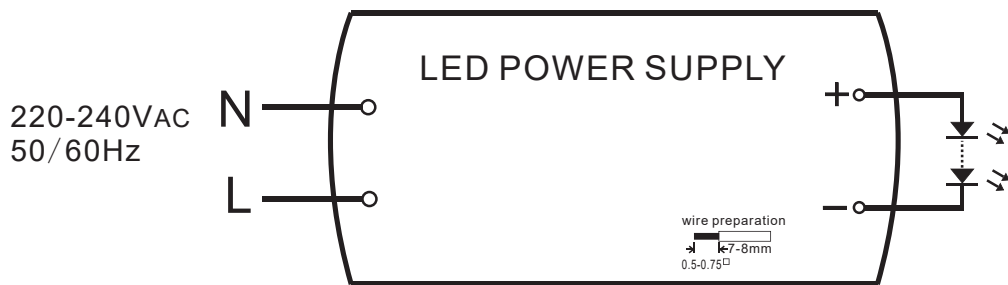
## Specifications:

Model	SLT15-12VF-2S	SLT15-24VF-2S	
Output	turn on time(S)	≤0.5	≤0.5
	output power(W)	15	15
	output voltage(V)	12	24
	output voltage tolerance <sup>1</sup>	±3%	±3%
	ripple voltage(mV)	900(Vp-p)	1200(Vp-p)
	working current range(A)	0-1.25	0-0.625
	dimming interface	No	
	dimming range	n/a	
Input	rated supply voltage(Vac)	220-240	220-240
	voltage range(Vac)	198-264	198-264
	line frequency(Hz)	50/60	50/60
	input current(mA)	Max 100	Max 100
	efficiency <sup>2</sup>	≥81%@full load	≥83%@full load
	average efficiency <sup>3</sup>	≥78%	≥80%
	no load power consumption(W)	≤0.5	≤0.5
	power factor <sup>2</sup>	≥0.85C@full load	≥0.85C@full load
Protection	inrush current(Ipk)	15A/50uS	15A/50uS
	over voltage protection	YES	YES
	short circuit protection	YES	YES
	over temperature protection	YES	YES
	automatic restart	YES	YES
	over load protection	YES	YES
Ambient and Life	surge capacity	L-N: 500V	L-N: 500V
	Ta(°C)	-20...45	-20...45
	Tc max.(°C)	90	90
	Storage Temperature(°C)	-30...80	
	ambient humidity range	5%...85%RH, Not condensing	
Other	nominal life-time(hrs)	30'000@Tc=90 C	30'000@Tc=90 C
	weight(g)	60	
	dimensions (LxWxH)(mm)	108x41x16	
	casing material	Plastic	
	housing colour	White	
	type of protection	IP20	
Note	protection class	Class II	
	<p>1. Tolerance:includes set up tolerance, line regulation and load regulation.            2. Tested at full load,230Vac.Refer to"Power Factor" and "EFFICIENT"curve graphs.            3. Calculate the model's average efficiency for each test voltage by testing at 100%, 75%, 50%, and 25% of rated current and then computing the simple arithmetic erage of these four values.            4. All parameters NOT specially mentioned are measured at nominal voltage input, rated load and 25 of ambient temperature.            5. The power supply is considered as a component that will be operated in combination with final equipment. Since EMC performance will be affected by the complete installation, the final equipment manufacturers must re-qualify EMC Directive on the complete installation again.</p>		

Dimensions(mm):



Wiring diagram:



**MCBS information:**

Miniature circuit breaker Model	B10	B13	B16	B20	C10	C13	C16	C20
SLT15-12VF-2s	40	55	70	87	72	87	119	140
SLT15-24VF-2s	40	55	70	87	72	87	119	140

**Sales & Technical Support:**

**SELF Electronics Co.,Ltd.(Headquarters)**

Add: No. 1345 JuXian Road, Ningbo Hi Tech Park, Ningbo, China 315103  
 Phone: +86-574-2880-5765, +86-574-2880-5658 (for English assistance)  
 +86-574-2880-5678 (for Chinese assistance)  
 Fax: +86-574-28805656  
 E-mail: sales@self-electronics.com  
<http://www.self-electronics.com>

**Self Electronics Co.,Ltd.,Shenzhen Office**

Add: Room2007, Xinglang Xuan, Xinghemingju, Fuming Rd., Futian District, Shenzhen  
 Tel: +86-755-8355-8850  
 Fax: +86-755-8355-8840  
 E-mail: szsales@self-electronics.com

**SELF Electronics Germany GmbH**

August-Horch-Str. 7, 51149 Cologne  
 Phone: +492203-18501-0  
 Fax: 492203-18501-199  
 E-mail: saleseu@self-electronics.com

\*Due to continuous improvements and innovations, specifications are subjected to change without notice.

